

Sabre

Panel sections - in full steel, steel/mesh, steel/glass/steel, steel/glass and full mesh.

Sliding doors - using low friction bearings for maintenance free operation. Bottom guide rails do not intrude into door opening and make for free access for all types of traffic. Normally supplied with pullhandles, padlock hasp or claw lock. Locks can be provided with Europrofile cylinders.

Hinged doors - single or double leaf, usually supplied with lever handles and mortice lock. Locks can be provided with Europrofile cylinders. Leaves may be solid or partially glazed, timber or steel.

Hatches - drop down hatch with hinged flap that may be used as a serving shelf. Sliding glass hatch for intercommunication between areas.

CONSTRUCTION Sabre partitioning comprises 1.2 mm thick channel uprights, spot welded to panel skins and bolted together with M6 x 12 hexagon screws and nuts. Panel skin thickness is 0.75 mm/1 mm. Mesh size is 50 mm x 50 mm x 3 mm. Special heavy duty top capping is supplied for lineal stability, additional strength coming from 50 mm x 50 mm RHS mullions fixed to floor with M10 expansion bolts. Glazed panels incorporate steel 'clip-on' glazing beads which accommodate 4 mm and 6 mm glass.

Sabre partitions are epoxy powder coated or stove enamelled to an average coating thickness of 70 microns. Partitioning is available in the standard colours as shown on page 12. Non-standard and corporate colours are available on request.

Dimensions (mm) Available widths are 300, 400, 500, 600, 700, 800, 900 and 1000. Height options are 2438, 2743, 3048 and 3657.

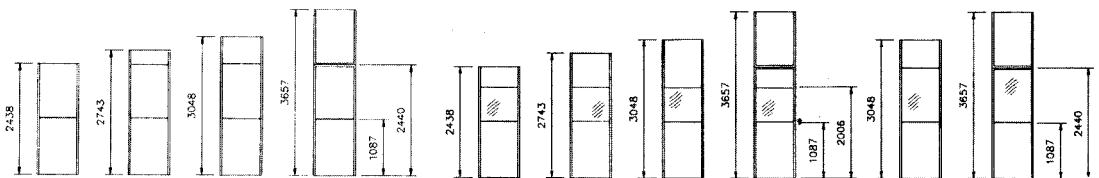
Weight is nominally 9 kg/sq m excluding glass.

Partition types



full steel steel/mesh full mesh steel/glass steel/glass/steel

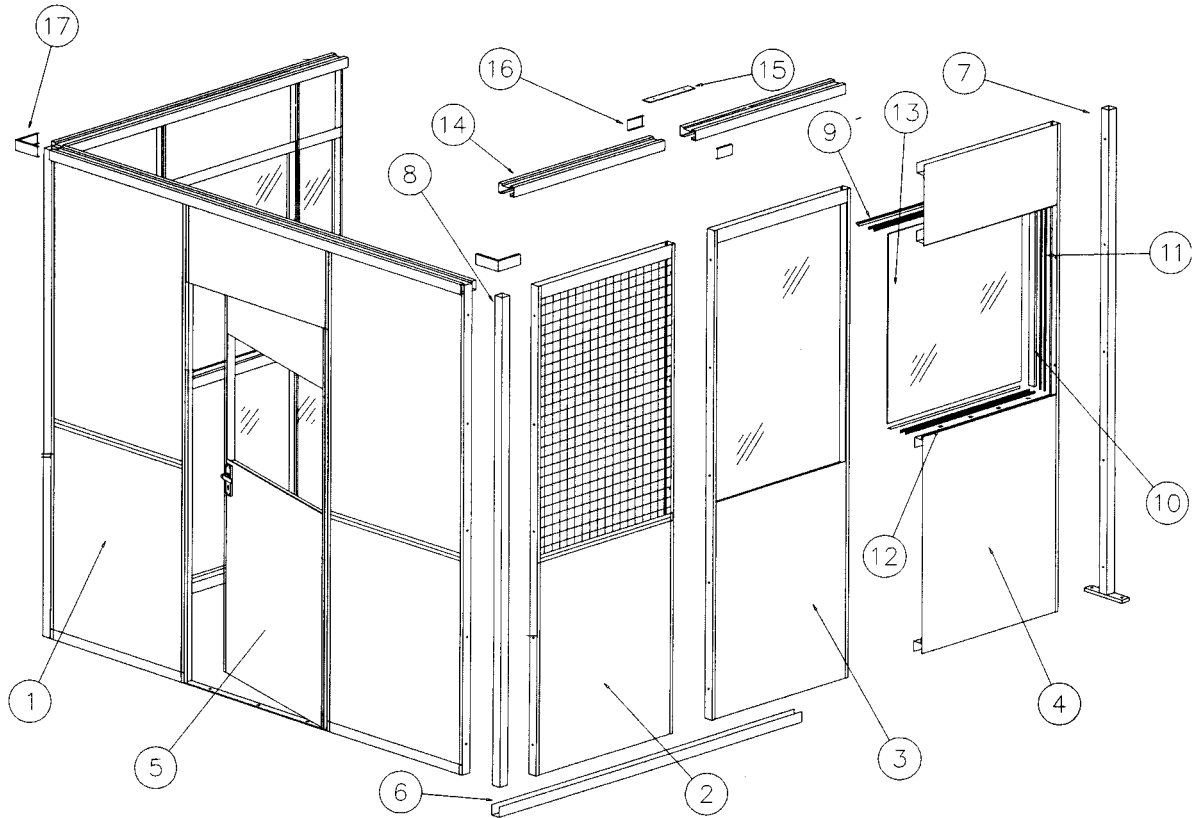
Dimensions



full steel	•	•	•	•						
steel/mesh	•	•	•	•						
full mesh	•	•	•	•						
steel/glass	•	•	•	•						
steel/glass/steel					•	•	•	•	•	•

These elevations are of panels only and do not include for top capping and /or floor track

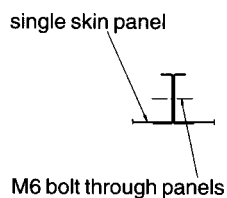
Sabre range - typical assembly



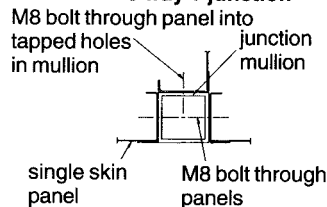
Item	Component	Finish/material	Notes
1	full steel panel	painted finish	width range 300 mm - 1000 mm
2	steel/mesh panel	painted finish	width range 300 mm - 1000 mm
3	steel/glass panel	painted finish	width range 300 mm - 1000 mm
4	steel/glass/steel panel	painted finish	width range 300 mm - 1000 mm
5	steel glazed side hung door	painted finish	width range 300 mm - 1000 mm also available in timber in a 900 mm module
6	floor channel	painted finish - contrasting colour to panels	supplied in 3000 mm lengths
7	support mullion	painted finish - contrasting colour to panels	50 mm x 50 mm mullion; locate on 3600 mm centres
8	corner mullion	painted finish - contrasting colour to panels	50 mm x 50 mm mullion; used at corners
9	horizontal glazing bead	painted finish - matching panels	triangular section; clips in position
10	vertical glazing bead	painted finish - matching panels	channel section; held in position by horizontal bead
11	foam glazing strip	adhesive backed foam strip	supplied in rolls; fit to both sides of glazing clip to panels
12	glazing clips	self colour - mild steel	locating horizontal bead
13	glazing	glass or plastic	various options available to suit application
14	top capping	painted finish - contrasting colour to panels	supplied in 3000 mm lengths
15	top capping splice	painted finish - contrasting colour to panels	used to strengthen top capping joints
16	top capping join cover	painted finish - contrasting colour to panels	used to cover top capping joints
17	top capping corner cover	painted finish - contrasting colour to panels	used at top capping corners

Assembly of junctions

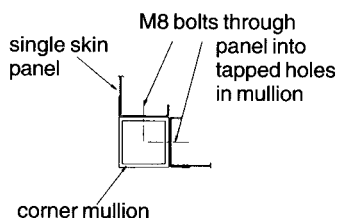
Straight junction



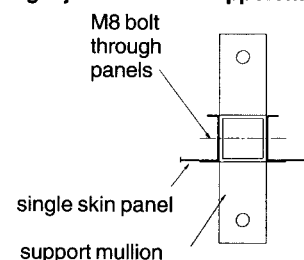
3 way T junction



Corner junction



Straight junction with support mullion



note: diagrams are not to scale